



PE

PE A

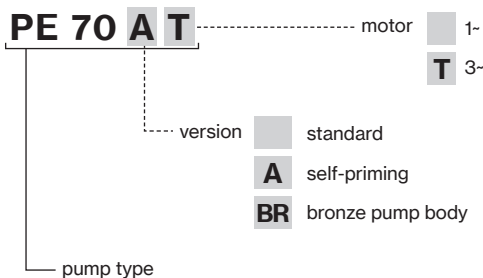
Peripheral positive displacement pumps with front suction (PE) and side suction with self-priming system (PE A) for small household systems and simple industrial applications; characterised by a considerable ratio between performance and required output.

### Construction features

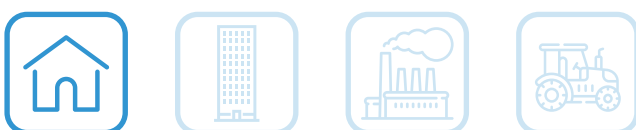
<b>Pump body</b>	cast iron, bronze (50BR)
<b>Motor bracket</b>	cast iron, cast iron or bronze (50BR)
<b>Impeller</b>	brass
<b>Mechanical seal</b>	ceramic-graphite-NBR
<b>Motor shaft</b>	stainless steel AISI 416
<b>Liquid temperature</b>	0 - 90 °C
<b>Operating pressure</b>	max 6 bar (50) max 8 bar (70, 100) max 9 bar (90)

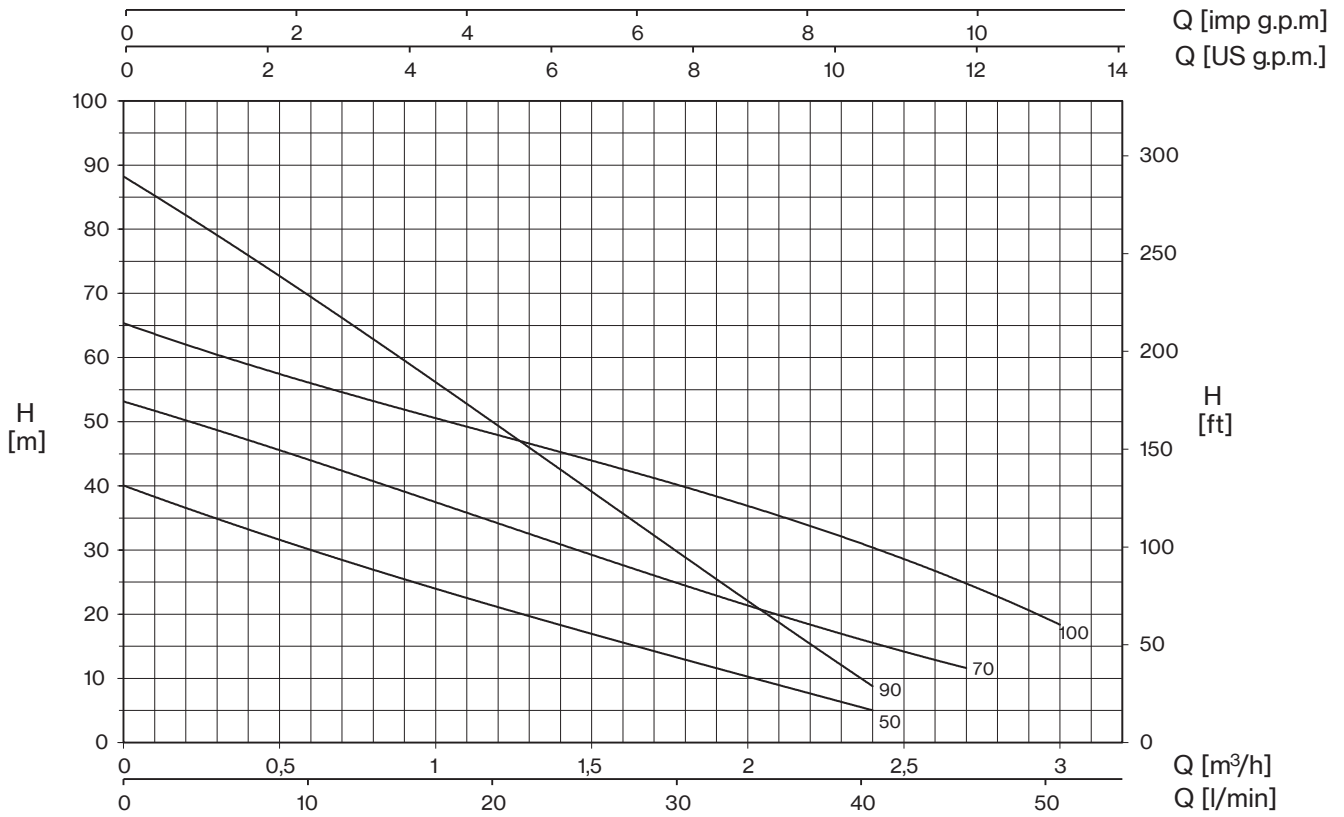
### Motor

	3~ 230/400V - 50Hz
<b>2 Poles induction motor</b>	1~ 230V - 50Hz (with thermal protection)
<b>Insulation class</b>	F
<b>Protection degree</b>	IPX4

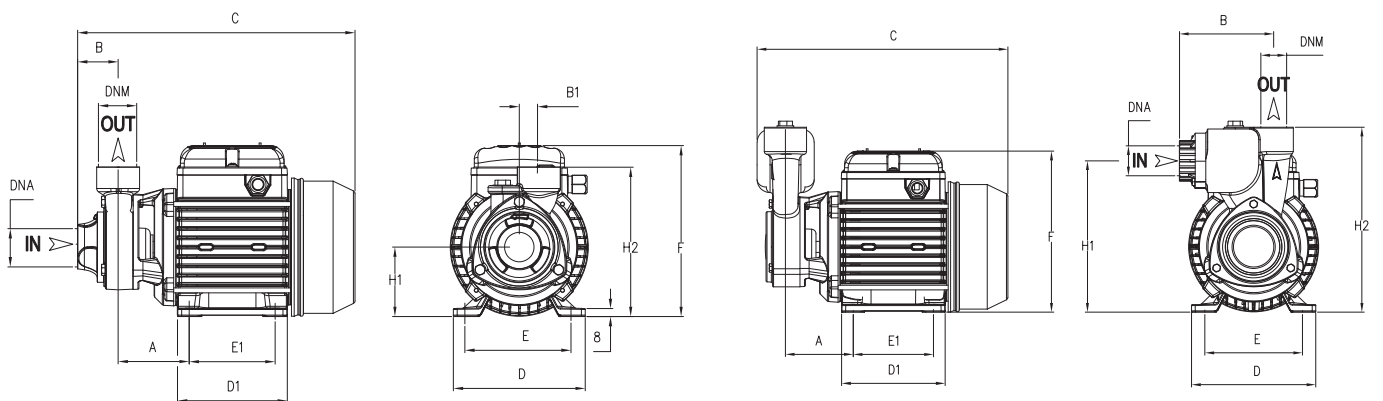


TYPE	LOTS			
	TRUCK		CONTAINER	
	PALLET (cm)	N° pumps	PALLET (cm)	N° pumps
<b>PE 50F(BR)</b>	85×110×170	198	85×110×190	220
	80×120×170	207	80×120×190	230
<b>PE 50A</b> <b>PE 70A</b> <b>PE 100-90</b>	80×110×170	105	85×110×190	135
			85×120×170	136
<b>PE 70</b>	80×120×160	171	80×120×190	190
	85×100×160	180	85×100×190	200
<b>PE 100A</b>	80×120×145	102	80×120×190	136





TYPE		P2		P1 (kW)		AMPERE		Q (m³/h - l/min)							
1~	3~	HP	kW	1~	3~	1~ 230V 50 Hz	3~ 400V 50 Hz	0	0,3	0,6	1,2	1,8	2,4	2,7	3
								0	5	10	20	30	40	45	50
								H (m)							
PE 50F	PE 50FT	0,5	0,37	0,5	0,5	2,3	1,0	40,0	35,0	30,0	21,0	13,0	5,0		
PE 50BR	PE 50BRT	0,5	0,37	0,5	0,5	2,3	1,0	40,0	35,0	30,0	21,0	13,0	5,0		
PE 50A	PE 50AT	0,5	0,37	0,5	0,5	2,3	1,0	40,0	35,0	30,0	21,0	13,0	5,0		
PE 70	PE 70T	0,7	0,5	0,9	0,9	4,0	1,7	53,1	48,8	44,1	33,8	24,7	15,5	11,6	
PE 70A	PE 70AT	0,7	0,5	0,9	0,9	4,0	1,7	53,1	48,8	44,1	33,8	24,7	15,5	11,6	
PE 100	PE 100T	1	0,74	1,1	1,1	5,2	2,0	65,0	61,0	56	48,0	39,0	31,0	25,1	18,0
PE 100A	PE 100AT	1	0,74	1,1	1,1	5,2	2,0	65,0	61,0	56,0	48,0	39,0	31,0	25,1	18,0
PE 90	PE 90T	1	0,74	1,2	1,1	5,6	2,0	88,2	79,2	69,3	49,5	28,8	8,8		



TYPE	DIMENSIONS (mm)													M			Kg
	A	B	B1	C	D	D1	E	E1	F	H1	H2	DNA	DNM	I	L	M	
PE 50F	63	50	20	260	120	101	100	80	158	63	143	1" G	1" G	265	150	175	6,5
PE 50BR	63	50	20	260	120	101	100	80	158	63	143			265	150	175	7
PE 50A	63	89	20	240	120	101	100	80	158	150	184			300	170	195	7,5
PE 70	70	56	20	271	120	101	100	80	158	63	152,2			285	150	180	8,5
PE 70A	71,5	101	10	248	120	101	100	80	158	157	193	300	170	195	9		
PE 100	71,5	50	20	294	135	112	112	89	172	71	160	300	170	195	10,5		
PE 100A	71,5	101	10	271	135	112	112	89	172	165	201	290	170	230	11		
PE 90	74,5	50	19	286	135	112	112	89	172	71	158	310	185	195	11		