



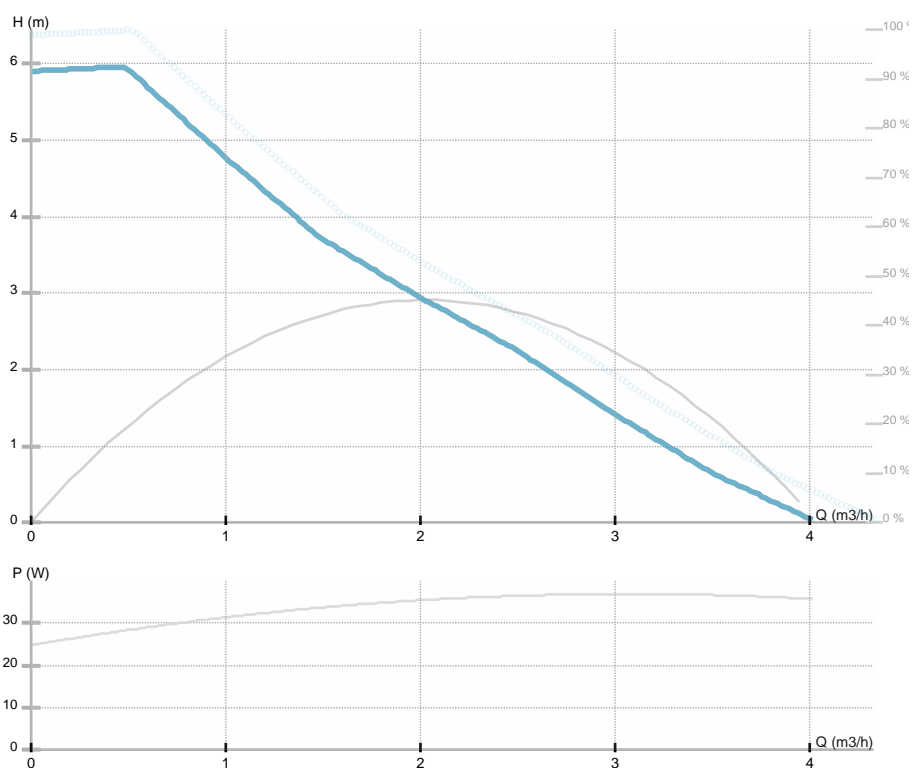
## NMT PLUS 25/60-130

979523845

NMT PLUS / Electronically regulated circulating pump  
 Heating/cooling, Klimatizacija

### GENERAL

Part number	<b>979523845</b>		
Part name	<b>NMT PLUS 25/60-130</b>		
Seal type		EEl	<b>0.18</b>
Net weight	<b>2.30 [kg]</b>		
H max	<b>5.76 [m]</b>	H min	<b>0.0 [m]</b>
Q max	<b>3.31 [m3/h]</b>	Q min	<b>0.0 [m3/h]</b>
	<b>38 [%]</b>		
Noise	<b>≤43 dB(A)</b>		



### ELECTRICAL DATA

Power supply	<b>1~230 V</b>
Mains frequency	<b>50 Hz</b>
Motor power	<b>36 [w]</b>
RPM	<b>4100 [1/min]</b>
Insulation class	<b>F</b>
Declared current	<b>0.32 [A]</b>
Declared protection	<b>IP44</b>
Thermal protection	
Frame size	
Motor IE class	

### INSTALLATION

Fluid	<b>Water VDI 2035, glycol 40%</b>
Fluid temperature	<b>-10.0 ÷ 110.0 [°C]</b>
Ambient temp.range	<b>40 deg C</b>
Length	<b>130 [mm]</b>
DN	<b>25 [mm]</b>
Connector	<b>G 1 ½</b>
Connection	<b>G 1 ½</b>
Max pressure	<b>1.0 MPa</b>

### MATERIAL

Bearing material	<b>Ceramics</b>
Impeller material	<b>Noryl 1630V</b>
Hydraulics material	<b>Gray cast iron</b>
Shaft material	<b>Ceramics</b>

## **NMT PLUS 25/60-130**

979523845

NMT PLUS / Electronically regulated circulating pump

Heating/cooling, Klimatizacija



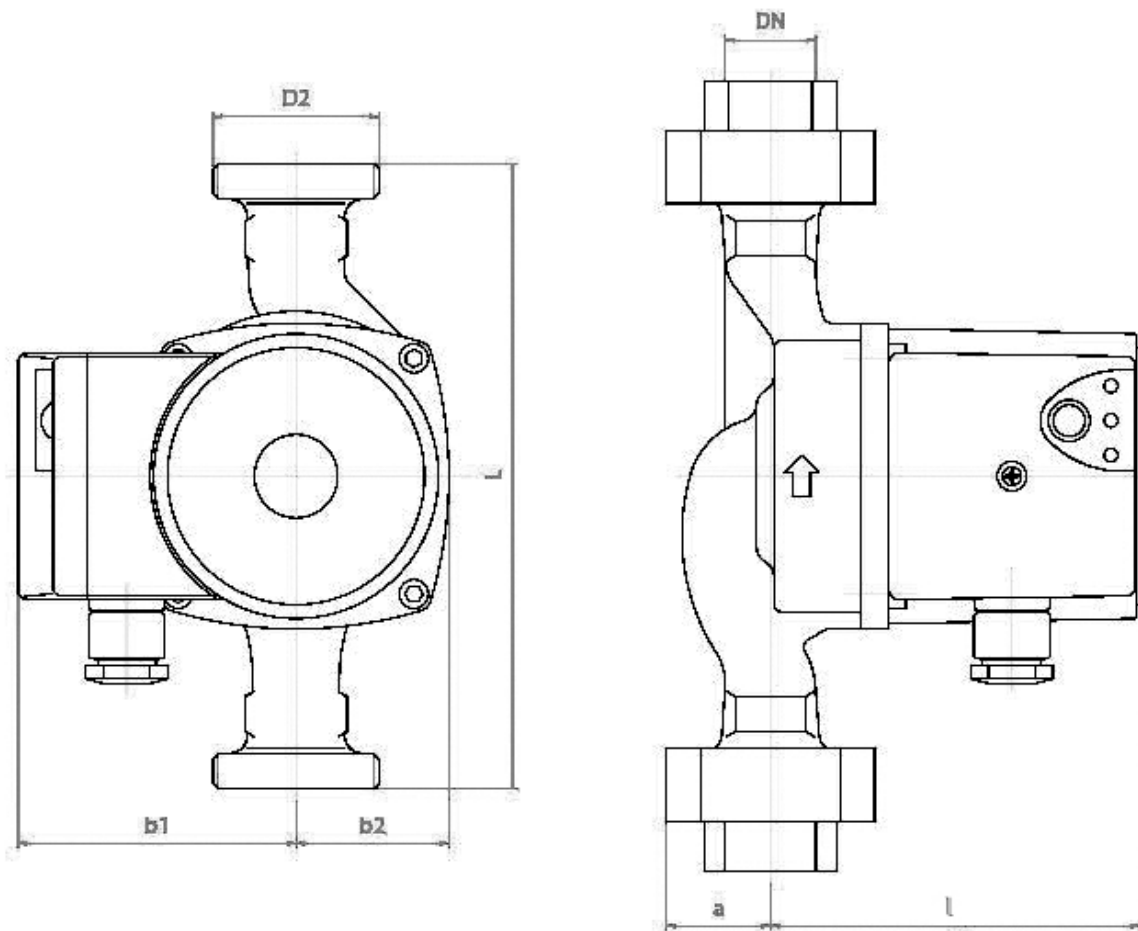


## NMT PLUS 25/60-130

979523845

NMT PLUS / Electronically regulated circulating pump  
Heating/cooling, Klimatizacija

Dimension drawing



L=130 DN=25 b1=79 b2=47,5 l=108 a=32 D2=6/4

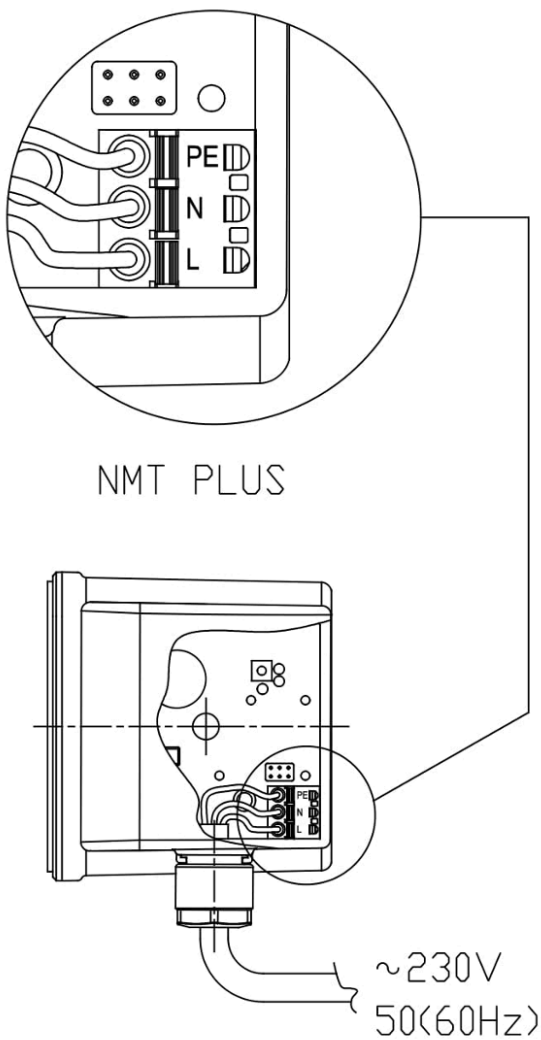


## NMT PLUS 25/60-130

979523845

NMT PLUS / Electronically regulated circulating pump  
Heating/cooling, Klimatizacija

Electrical wiring





## **NMT PLUS 25/60-130**

979523845

NMT PLUS / Electronically regulated circulating pump  
Heating/cooling, Klimatizacija