



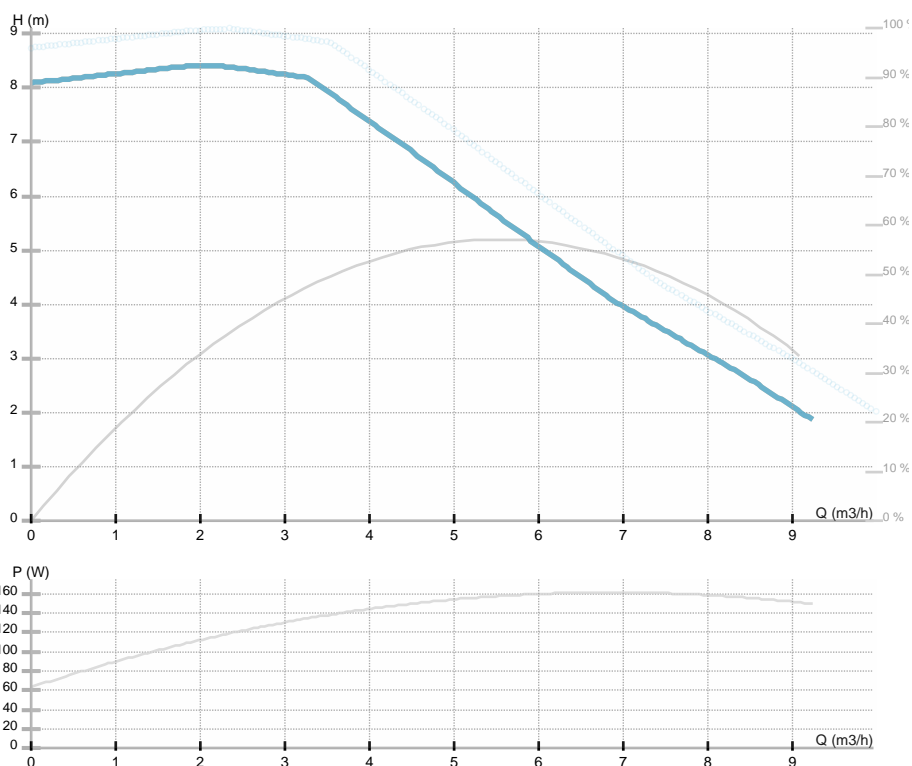
NMT SMART 32/80 F220

979527134

NMT SMART / Electronically regulated circulating pump

GENERAL

| | | | |
|-------------|-----------------------------|-------|-------------------|
| Part number | 979527134 | | |
| Part name | NMT SMART 32/80 F220 | | |
| Seal type | EEI | | 0.21 |
| Net weight | 6.40 [kg] | | |
| H max | 8.4 [m] | H min | 0.0 [m] |
| Q max | 12.3 [m3/h] | Q min | 0.0 [m3/h] |
| | [%] | | |
| Noise | ≤43 dB(A) | | |



ELECTRICAL DATA

| | |
|---------------------|---------------------|
| Power supply | 1~230 V |
| Mains frequency | 50/60 Hz |
| Motor power | 150 [w] |
| RPM | 3900 [1/min] |
| Insulation class | F |
| Declared current | 1.3 [A] |
| Declared protection | IP44 |
| Thermal protection | NTC |
| Frame size | |
| Motor IE class | |

INSTALLATION

| | |
|--------------------|-----------------------------------|
| Fluid | Water VDI 2035, glycol 40% |
| Fluid temperature | -10.0 ÷ 110.0 [°C] |
| Ambient temp.range | 40 deg C |
| Length | 220 [mm] |
| DN | 32 [mm] |
| Connector | PN 6/10 |
| Connection | PN 6/10 |
| Max pressure | 1.0 MPa |

MATERIAL

| | |
|---------------------|-----------------------|
| Bearing material | Graphite |
| Impeller material | PES GF 30 |
| Hydraulics material | Gray cast iron |
| Shaft material | AISI 420 |

NMT SMART 32/80 F220

979527134

NMT SMART / Electronically regulated circulating pump



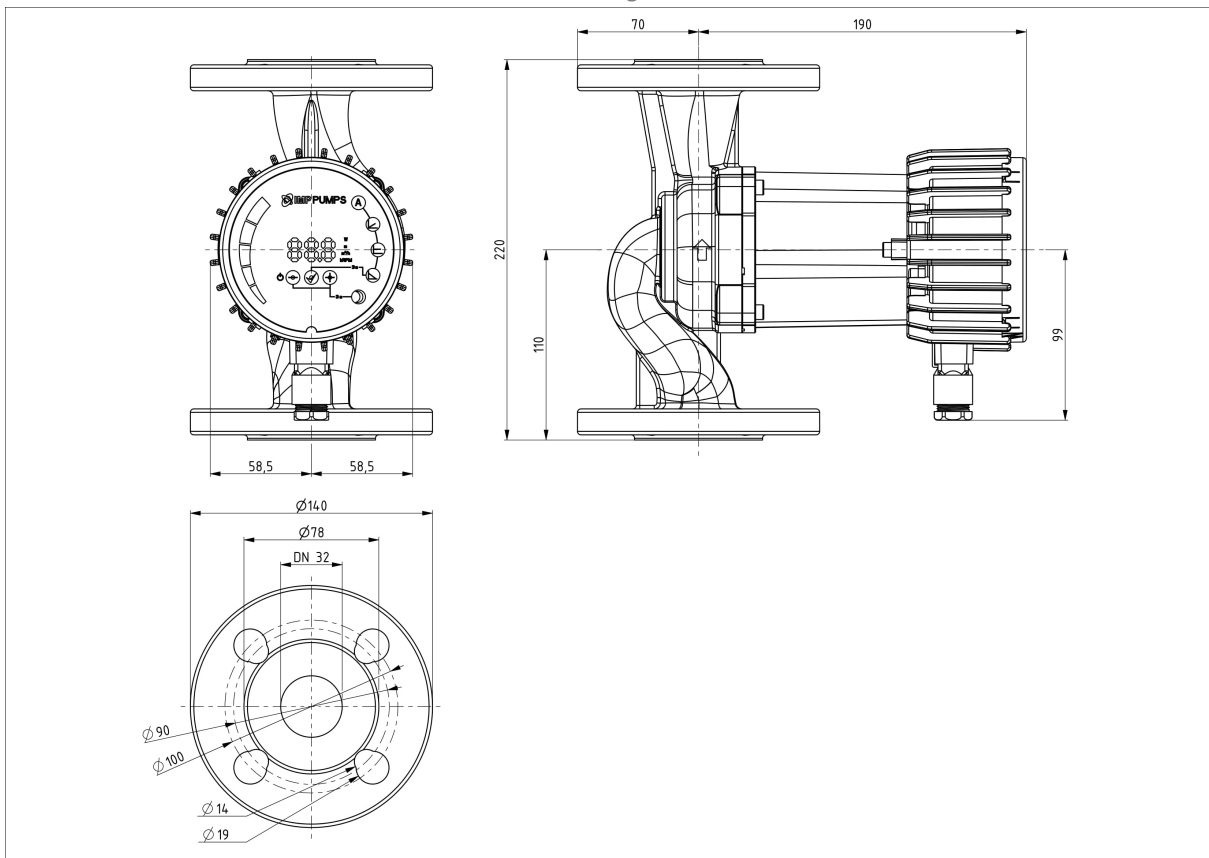


NMT SMART 32/80 F220

979527134

NMT SMART / Electronically regulated circulating pump

Dimension drawing



DN=32 h=220 a=70 l=190

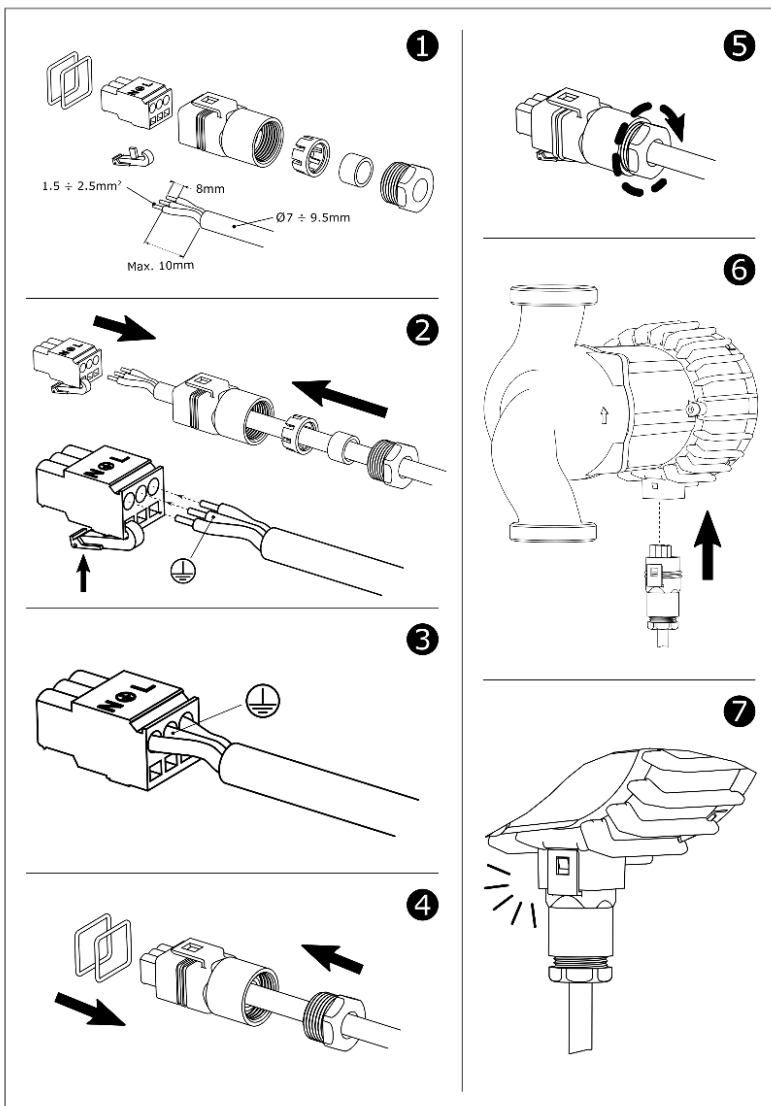


NMT SMART 32/80 F220

979527134

NMT SMART / Electronically regulated circulating pump

Electrical wiring





NMT SMART 32/80 F220

979527134

NMT SMART / Electronically regulated circulating pump