



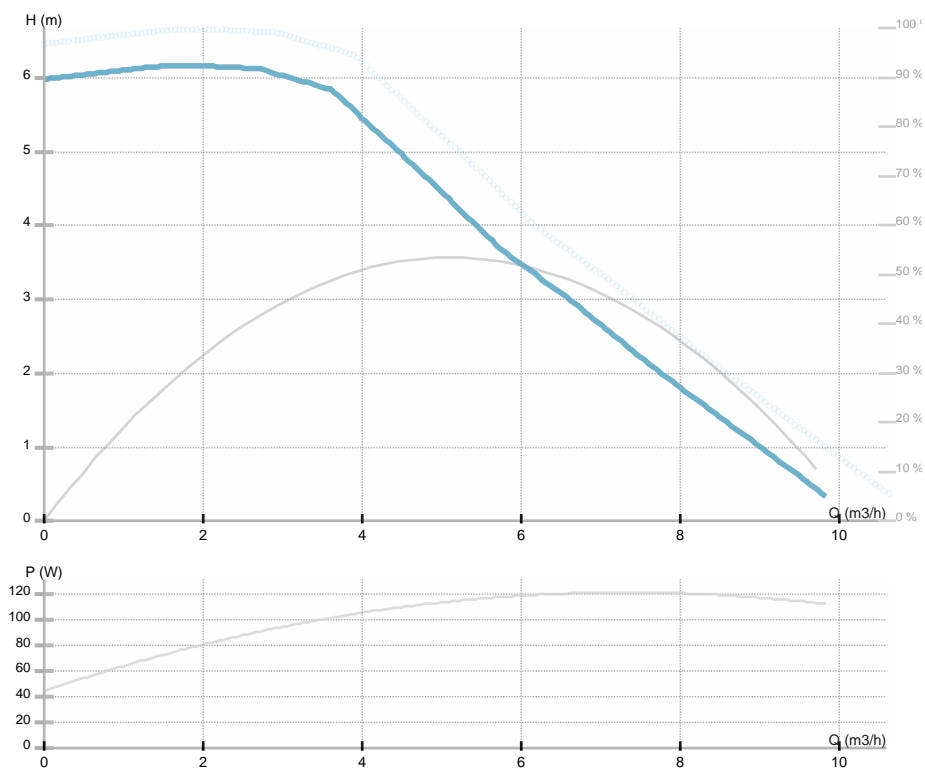
NMT SMART 50/60 F240

979527166

NMT SMART / Electronically regulated circulating pump

GENERAL

Part number	979527166		
Part name	NMT SMART 50/60 F240		
Seal type	EEI		0.21
Net weight	8.80 [kg]		
H max	6.2 [m]	H min	0.0 [m]
Q max	9.9 [m3/h]	Q min	0.0 [m3/h]
	[%]		
Noise	≤43 dB(A)		



ELECTRICAL DATA

Power supply	1~230 V
Mains frequency	50/60 Hz
Motor power	110 [w]
RPM	3400 [1/min]
Insulation class	F
Declared current	1.0 [A]
Declared protection	IP44
Thermal protection	NTC
Frame size	
Motor IE class	

INSTALLATION

Fluid	Water VDI 2035, glycol 40%
Fluid temperature	-10.0 ÷ 110.0 [°C]
Ambient temp.range	40 deg C
Length	240 [mm]
DN	50 [mm]
Connector	PN 6/10
Connection	PN 6/10
Max pressure	1.0 MPa

MATERIAL

Bearing material	Graphite
Impeller material	PES GF 30
Hydraulics material	Gray cast iron
Shaft material	AISI 420

NMT SMART 50/60 F240

979527166

NMT SMART / Electronically regulated circulating pump



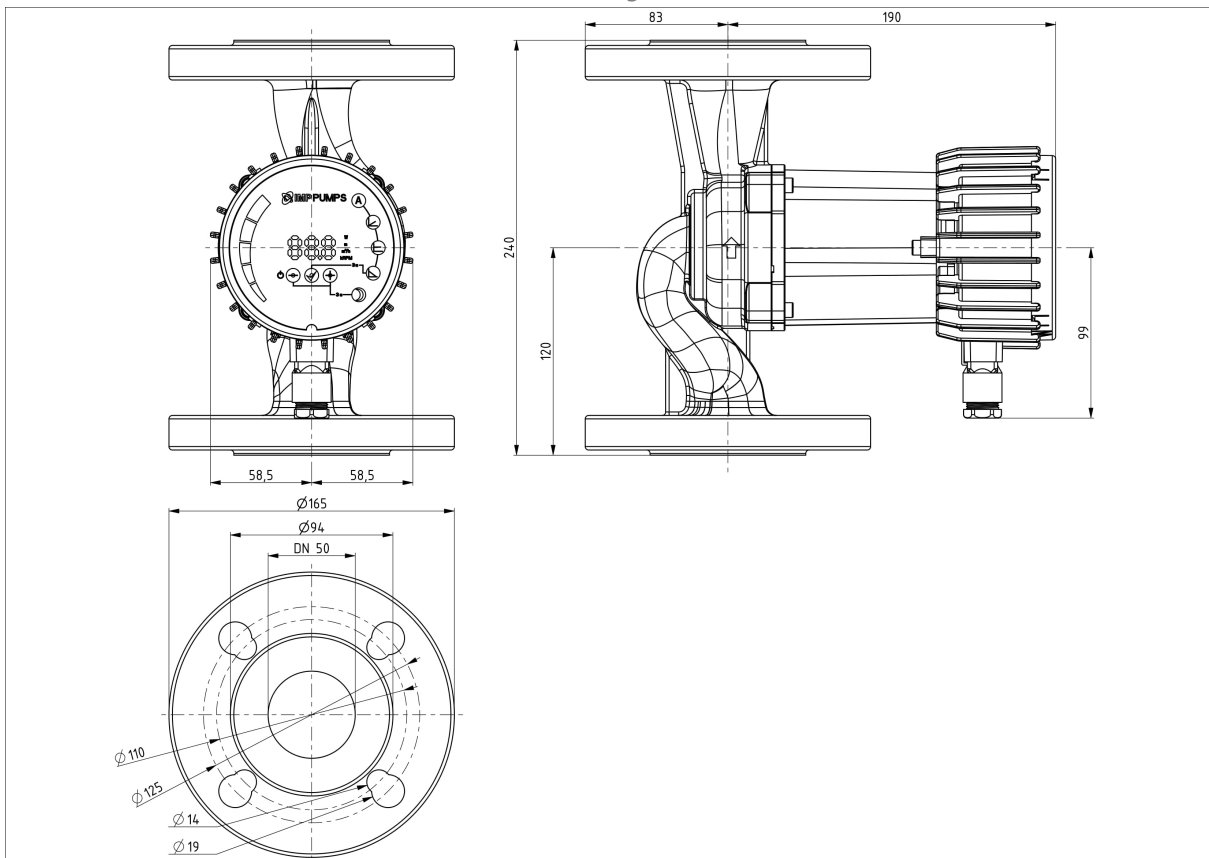


NMT SMART 50/60 F240

979527166

NMT SMART / Electronically regulated circulating pump

Dimension drawing



DN=50 h=240 a=82,5 l=190

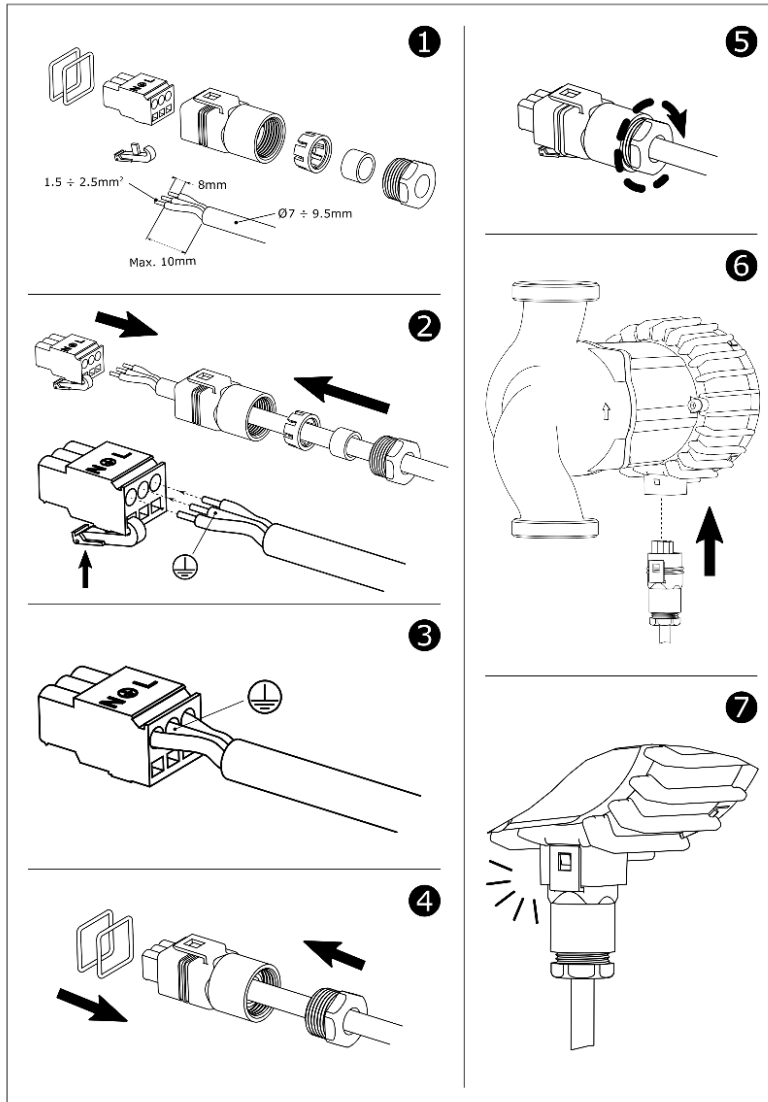


NMT SMART 50/60 F240

979527166

NMT SMART / Electronically regulated circulating pump

Electrical wiring





NMT SMART 50/60 F240

979527166

NMT SMART / Electronically regulated circulating pump