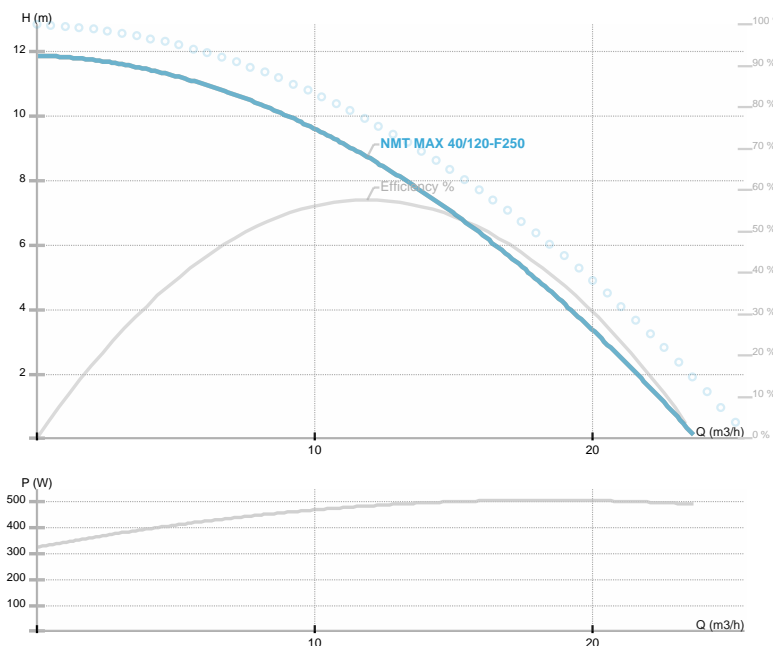




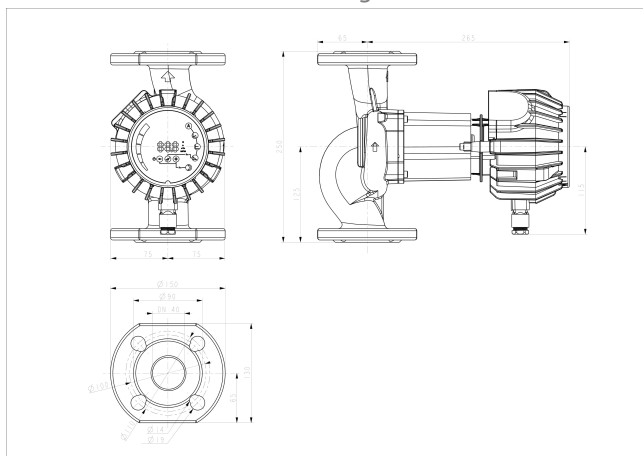
NMT MAX 40/120-F250

NMT MAX F/ Electronically regulated circulating pump
 Heating, Climatisation, -



Part number	979523502
Power supply	1~230 V
Declared protection	IP44
Q max	23.78 [m³/h]
H max	11.88 [m]
RPM	4400 [1/min]
Motor power	480 [w]
Declared current	2.2 [A]
Fluid	Water VDI 2035, glycol 40%
Fluid temperature	-10.0 ÷ 110.0 [°C]
Insulation class	H
DN	40 [mm]
Connector	PN 6/10
Net weight	9.80 [kg]
Length	250 [mm]
Approvals	CE EAC
EEI	0.2
Efficiency	58.07 [%]
Impeller material	PES GF 30
Bearing material	Graphite
Shaft material	AISI 420
Hydraulics material	Gray cast iron
Mains frequency	50/60 Hz
Connection	PN 6/10
Max pressure	1.0 MPa
Ambient temp.range	40 deg C

Drawing



Electrical wiring

