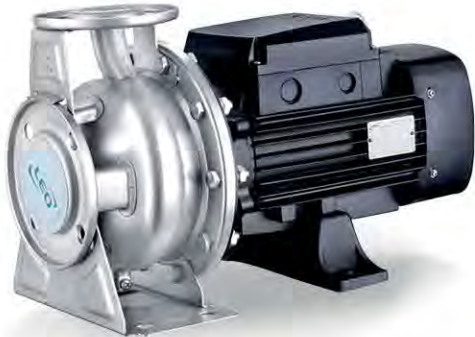
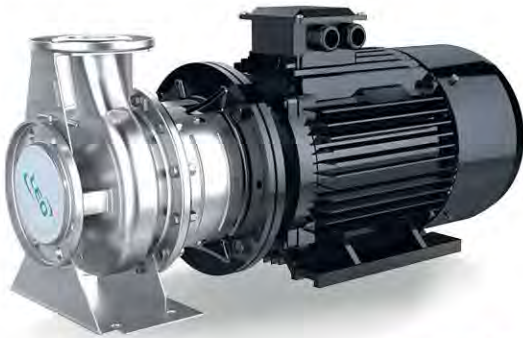


XZS

Stainless Steel Standard Centrifugal Pump



1.1kw~7.5kw



9.2kw~22kw

Application

- Water supply: filtration and transfer at waterworks, regional water supply and pressure boosting in main pipe
- Industrial pressure boosting: Water system, cleaning system
- Industrial water supply: boiler feeding, cooling system, air conditioning, transportation of light acid and alkali liquid
- Water treatment: distillation systems, separators, swimming pools
- Agricultural irrigation, petrochemical industry, medicine and sanitation, etc.

Operating Conditions

- Thin, clean, non-flammable and explosive, not containing the liquid with solid particles and fibers
- Liquid temperature: -15°C - $+80^{\circ}\text{C}$
- Flow range: 0.7 - 132 m^3/h
- Head range: 9 - 58 m
- Ambient temperature range: -15°C - $+40^{\circ}\text{C}$
- Max. operation: 10 bar
- Altitude: up to 1000 m
- Liquid PH value: 3 - 9
- Max. ambient temperature: $+40^{\circ}\text{C}$

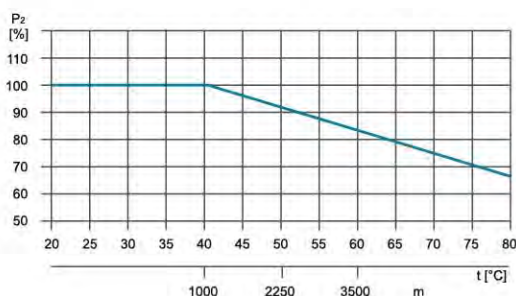
Motor

- IE 2 motor (IE 3 motor optional)
- Totally enclosed & fan-cooled
- Protection class: IP55
- Insulation class: F

Ambient Temperature

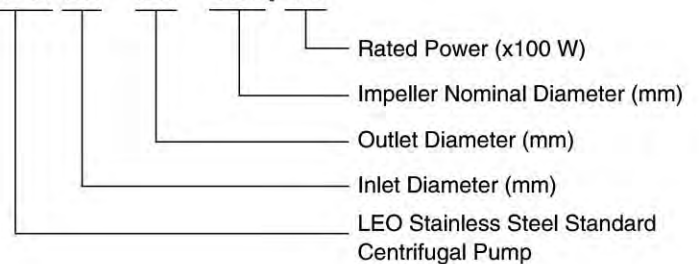
Max. Ambient temperature: $+40^{\circ}\text{C}$. Ambient temperature above 40°C , or installation at altitude of more than 1000 m above sea level, require the use of an oversize motor. Because of low air density and poor cooling effects, the motor output power P_2 will be decreased. See the picture.

For example, when the pump is installed at altitude of more than 3500 m above sea level, P_2 will be decrease to 88%. When the ambient temperature is 70°C , P_2 will be decreased to 78%.



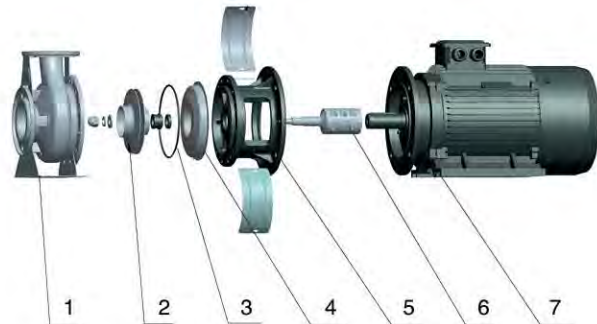
Identification Codes

XZS 65- 50- 160/40



Materials Table

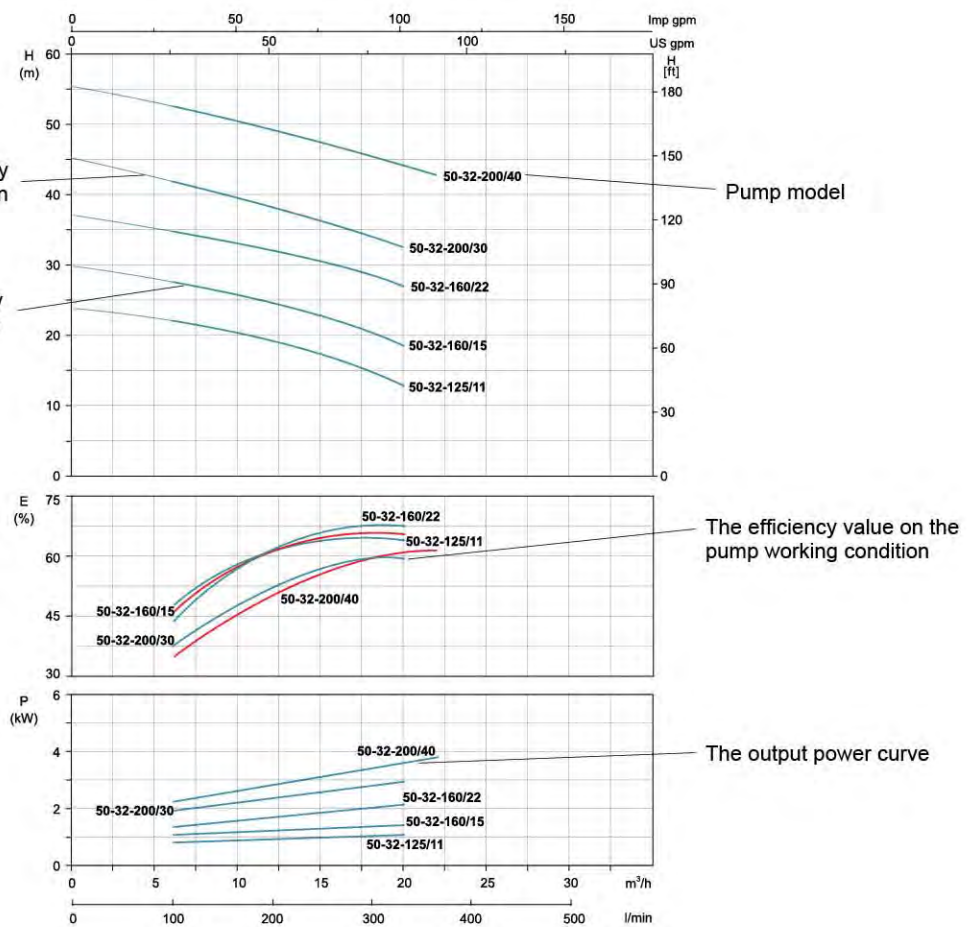
No.	Part	Material
1	Pump body	AISI 304
2	Impeller	AISI 304
3	Mechanical seal	Sic/Carbon
4	Rear cover	AISI 304
5	Support	HT 200
6	Pump shaft	AISI 304/45#
7	Motor	



How to Read The Curve Charts

The thin curves indicate the duty range where long-time operation is not allowed

The bold curves indicate the duty range where long-time operation is permitted for best efficiency



XZS

Stainless Steel Standard Centrifugal Pump

Technical Data

MODEL	Power		Q (m³/h)	Q=DELIVERY																			
	kW	HP		Q (l/min)																			
				0	6	9	12	18	20	22	24	27	30	36	42	48	60	72	90	108	114	120	126
XZS50-32-125/11	1.1	1.5		24.0	21.5	20.5	19.5	16.0	13.0	-	-	-	-	-	-	-	-	-	-	-	-	-	-
XZS50-32-160/15	1.5	2		29.5	27.0	26.0	25.0	21.0	18.0	-	-	-	-	-	-	-	-	-	-	-	-	-	-
XZS50-32-160/22	2.2	3		37.0	33.5	32.5	32.0	28.5	27.0	-	-	-	-	-	-	-	-	-	-	-	-	-	-
XZS50-32-200/30	3	4		45.0	41.0	40.0	38.0	34.0	32.0	-	-	-	-	-	-	-	-	-	-	-	-	-	-
XZS50-32-200/40	4	5.5		55.0	51.0	50.0	49.0	46.0	45.0	43.0	-	-	-	-	-	-	-	-	-	-	-	-	-
XZS65-50-125/15	1.5	2		20.0	-	-	19.0	18.0	17.0	16.5	15.0	14.0	12.5	10.0	-	-	-	-	-	-	-	-	-
XZS65-50-125/22	2.2	3		26.0	-	-	23.5	22.5	22.0	21.5	21	20.5	19.5	16.5	-	-	-	-	-	-	-	-	-
XZS65-50-160/30	3	4		31.0	-	-	29.0	27.5	27.0	26.5	25.5	25.0	24.0	22.0	19.0	-	-	-	-	-	-	-	-
XZS65-50-160/40	4	5.5		39.0	-	-	35.5	34.5	34.0	33.5	32.5	32.0	31.0	29.0	26.0	-	-	-	-	-	-	-	-
XZS65-40-200/55	5.5	7.5		47.0	-	-	43.0	42.5	42.0	41.5	41.0	40.5	39.0	37.0	33.0	-	-	-	-	-	-	-	-
XZS65-40-200/75	7.5	10		57.0	-	-	53.0	52.5	52.0	51.0	50.0	49.0	48.0	46.5	44.5	-	-	-	-	-	-	-	-
XZS80-65-125/30	3	4		22.5	-	-	-	-	-	-	20.0	19.5	19.0	18.5	17.5	16.0	13.0	9.0	-	-	-	-	-
XZS80-65-125/40	4	5.5	H (m)	25.5	-	-	-	-	-	-	23.0	22.5	22.0	21.5	20.5	20.0	17.0	13.5	-	-	-	-	-
XZS80-65-160/55	5.5	7.5		33.0	-	-	-	-	-	-	29.5	29.0	28.5	28.0	27.0	26.0	24.0	20.0	-	-	-	-	-
XZS80-65-160/75	7.5	10		39.0	-	-	-	-	-	-	36.0	35.0	34.5	34.0	33.5	32.5	29.0	24.0	-	-	-	-	-
XZS80-50-200/92	9.2	12.5		53.0	-	-	-	-	-	-	-	-	-	48.0	47.5	46.5	44.5	39.5	34.0	-	-	-	-
XZS80-50-200/110	11	15		57.5	-	-	-	-	-	-	-	-	-	53.0	51.0	50.5	50.0	47.0	41.0	-	-	-	-
XZS100-80-125/40	4	5.5		20.0	-	-	-	-	-	-	-	-	-	-	17.5	16.5	15.5	14.0	12.0	7.0	-	-	-
XZS100-80-125/55	5.5	7.5		23.0	-	-	-	-	-	-	-	-	-	-	21.5	20.5	20.0	18.0	16.0	12.0	7.5	-	-
XZS100-80-125/75	7.5	10		29.0	-	-	-	-	-	-	-	-	-	-	27.5	26.5	25.5	23.5	21.5	17.5	13.0	12.0	-
XZS100-80-160/92	9.2	12.5		33.0	-	-	-	-	-	-	-	-	-	-	-	31.0	30.0	28.0	26.0	23.0	-	-	-
XZS100-80-160/110	11	15		38.5	-	-	-	-	-	-	-	-	-	-	-	36.0	35.0	33.0	31.0	28.0	-	-	-
XZS100-65-200/150	15	20		47.0	-	-	-	-	-	-	-	-	-	-	-	44.0	43.0	41.0	39.0	36.0	32.0	30.0	28.0
XZS100-65-200/185	18.5	25		53.0	-	-	-	-	-	-	-	-	-	-	-	51.0	50.0	49.0	48.0	45.0	41.0	39.0	37.0
XZS100-65-200/220	22	30		58.0	-	-	-	-	-	-	-	-	-	-	-	57.0	56.0	55.0	54.0	51.0	47.0	45.5	44.0

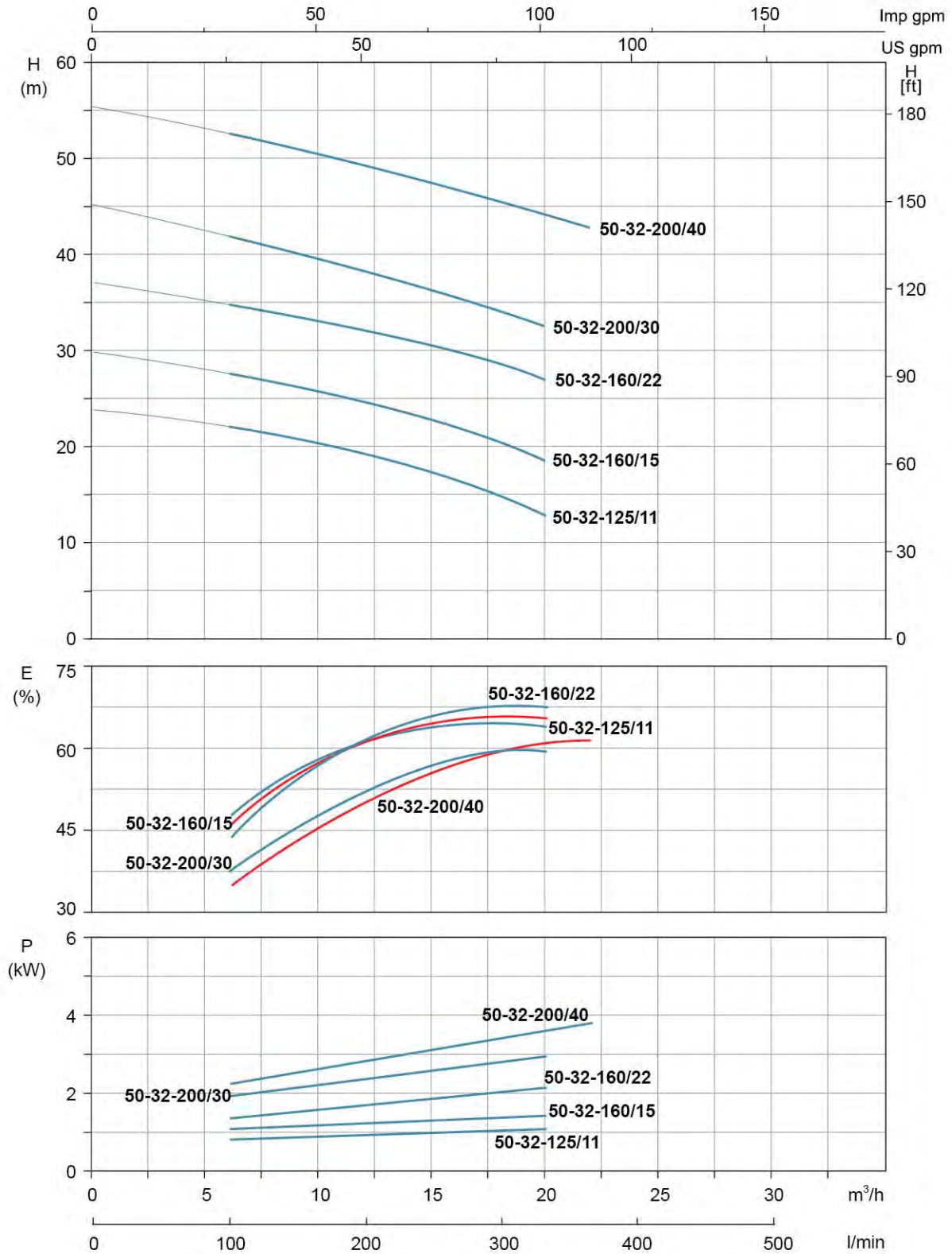
XZS

Stainless Steel Standard Centrifugal Pump

Hydraulic Performance Curves

XZS50-32

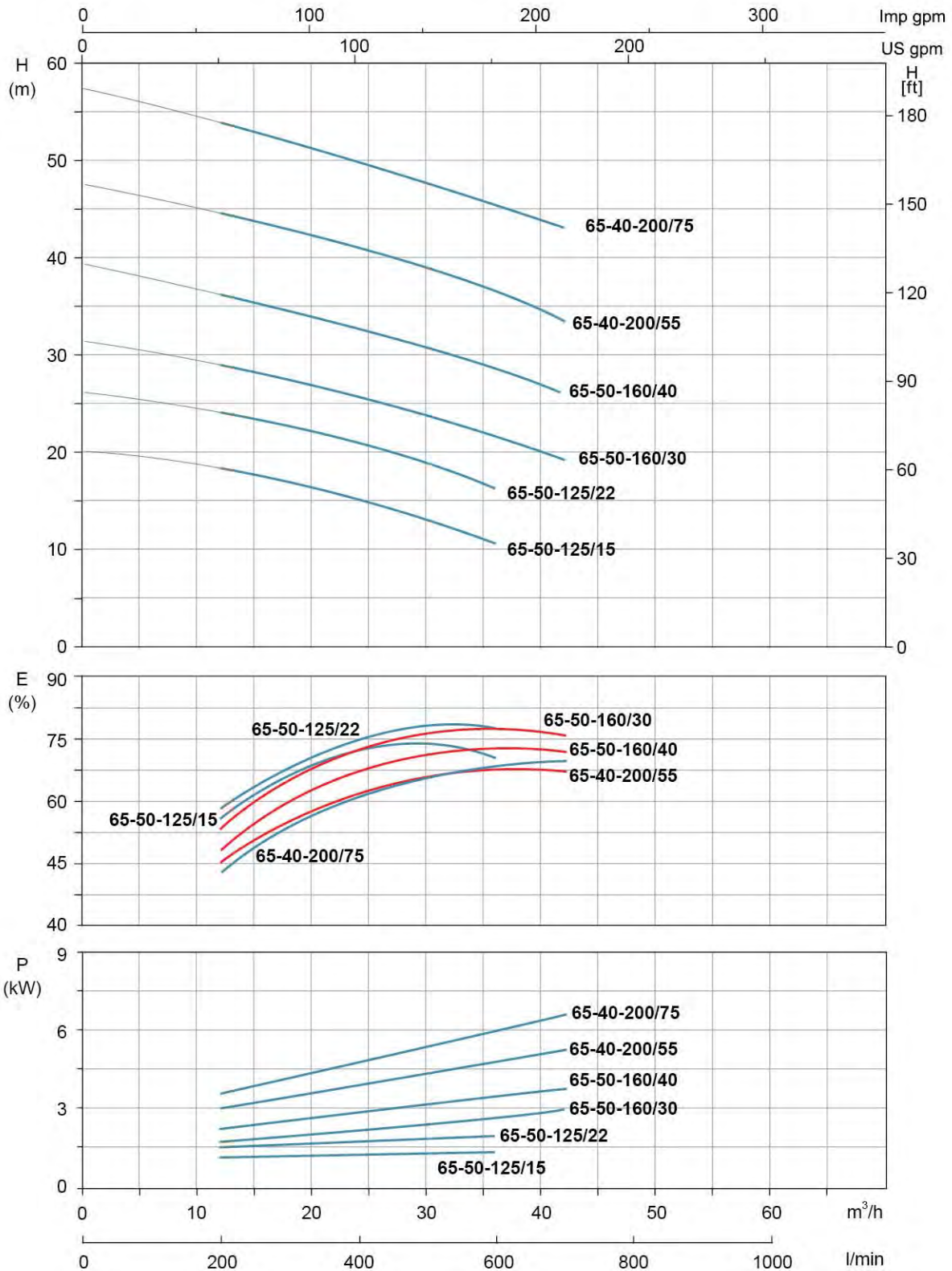
~2900rpm



Hydraulic Performance Curves

XZS65-40/50

~2900rpm



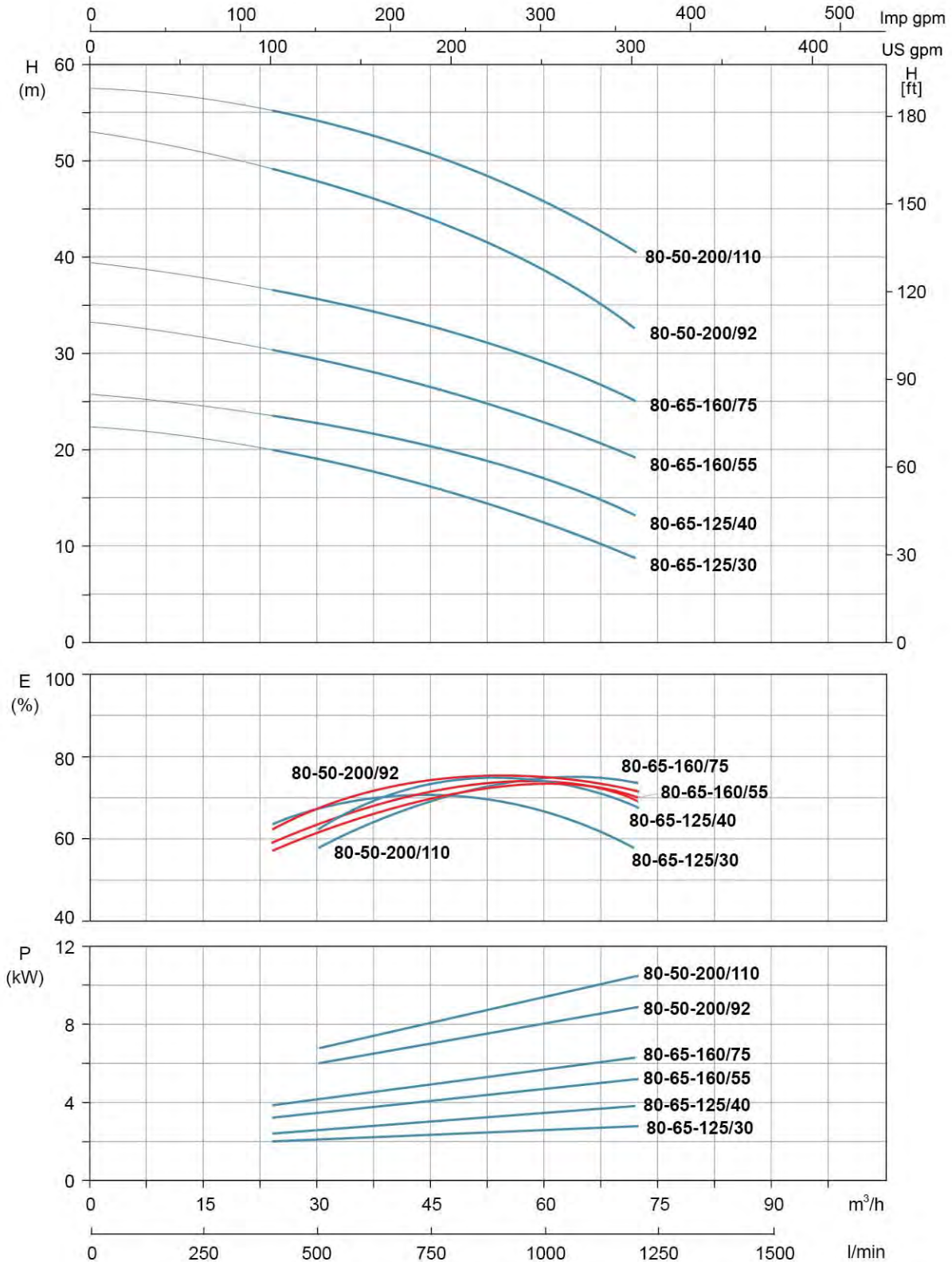
XZS

Stainless Steel Standard Centrifugal Pump

Hydraulic Performance Curves

XZS80-50/65

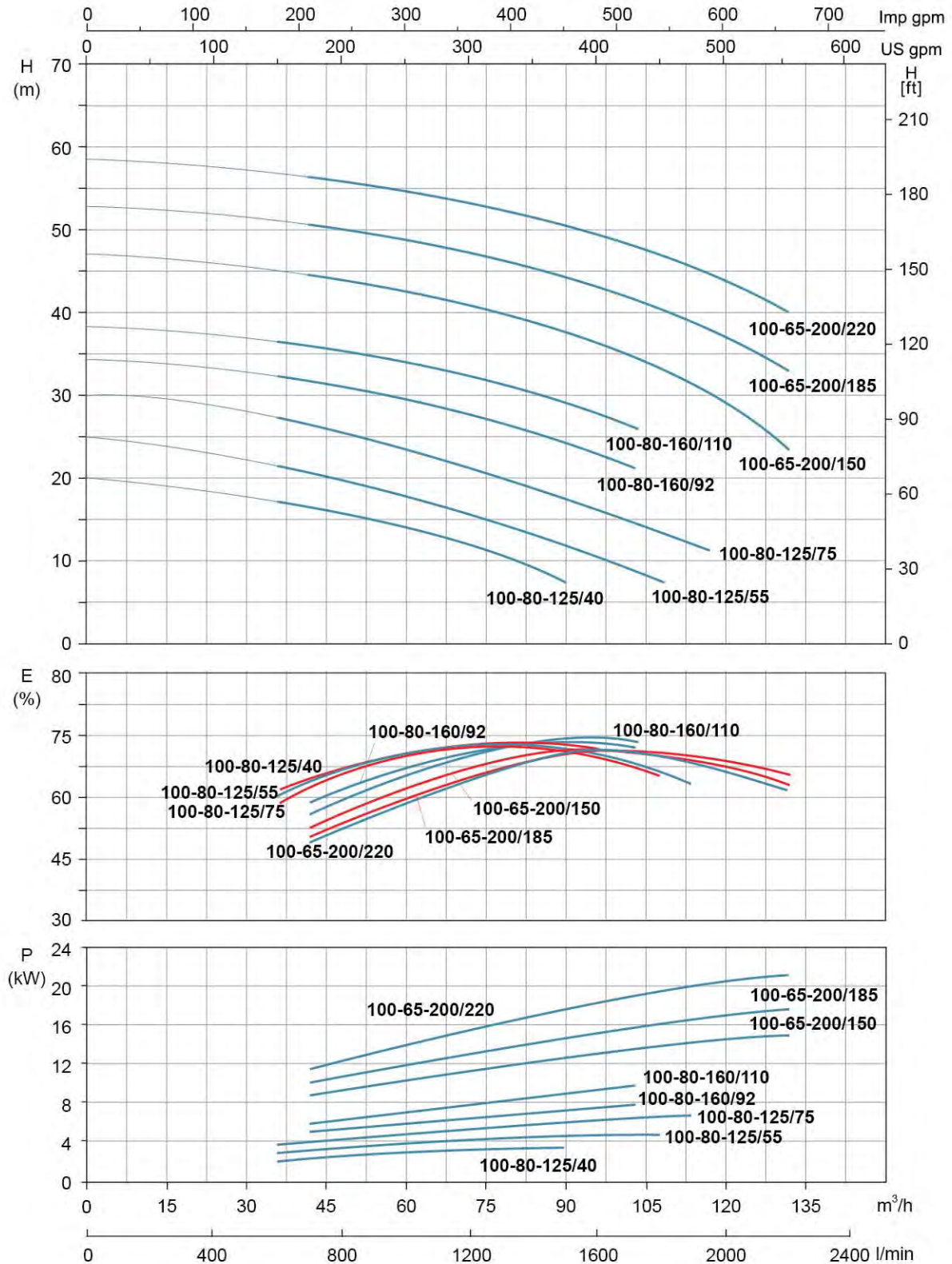
~2900rpm



Hydraulic Performance Curves

XZS100-65/80

~2900rpm

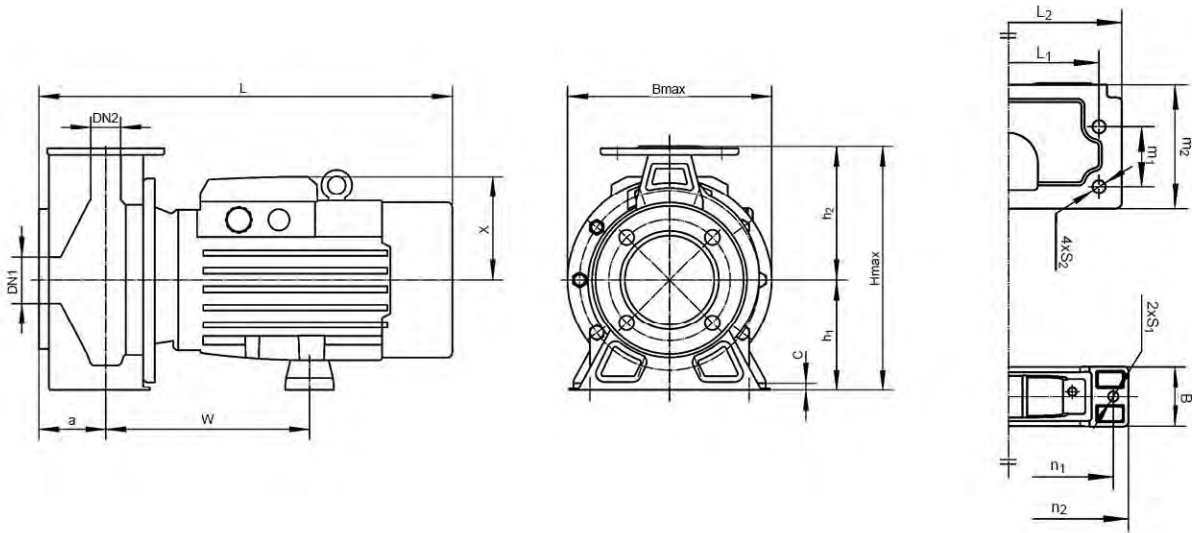


XZS

Stainless Steel Standard Centrifugal Pump

Installation Sketch

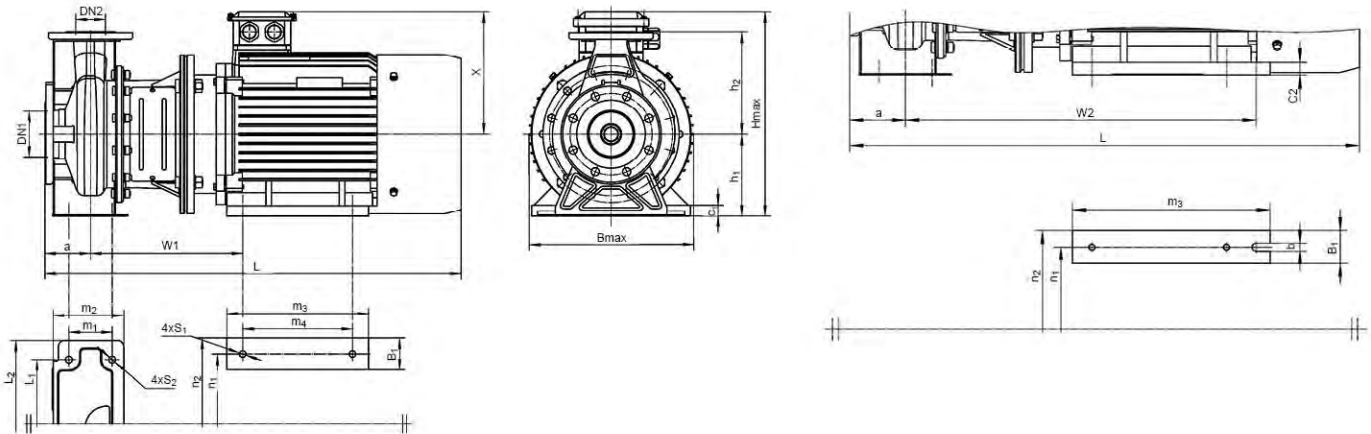
Up to 7.5 kW included



Model	DN1	DN2	a	w	L1	L2	m1	m2	n1	n2	h1	h2	2-S1	4-S2	B	C	X	Bmax	Hmax	L		
XZS50-32-125/11	50	32	80	205	140	190	70	122	205	240	112	140	2-Ø12	4-Ø15	65	12	127	240	250	475		
XZS50-32-160/15				207	190	240					132	160						244	292	477		
XZS50-32-160/22				244	124	225					260	160						180	295	340	492	
XZS50-32-200/30				244	124	225					260	160						180	295	340	492	
XZS50-32-200/40				244	124	225					260	160						180	295	340	492	
XZS65-50-125/15	65	50	100	205	160	210	70	121	205	240	112	140	2-Ø12	4-Ø15	65	12	127	240	252	475		
XZS65-50-125/22				244	190	240					123	225						260	132	160	292	492
XZS65-50-160/30				244	190	240					123	225						260	132	160	292	492
XZS65-50-160/40				244	190	240					123	225						260	132	160	292	492
XZS65-40-200/55				40	246	212					265	146						245	280	160	180	295
XZS65-40-200/75	40	246	212	265	146	245	280	160	180	295	340	563										
XZS80-65-125/30	80	65	100	254	190	240	70	158	225	260	132	160	2-Ø12	4-Ø15	75	15	124	260	292	522		
XZS80-65-125/40				256	212	265					150	245						280	142	573		
XZS80-65-160/55				256	212	265					150	245						280	142	573		
XZS80-65-160/75				256	212	265					150	245						280	142	573		
XZS100-80-125/40	100	80	100	258	280	95	95	155	245	280	160	180	2-Ø12	4-Ø15	75	124	280	340	524			
XZS100-80-125/55				258	280	95					155	245					280	142	575			
XZS100-80-125/75				258	280	95					155	245					280	142	575			

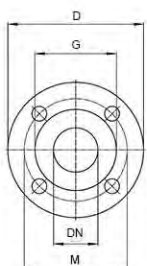
Installation Sketch

From 7.5 kW



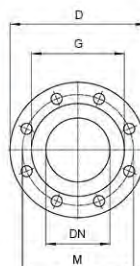
Model	DN1	DN2	a	w1	w2	L1	L2	m1	m2	m3	m4	n1	n2	h1	h2	4-S1	4-S2	B1	b	c1	c2	X	Bmax	Hmax	L
XZS80-50-200/92	80	50		314			265	70	146	210	260														816
XZS80-50-200/110																									
XZS100-80-160/92	80	100		321			280			260	210	254													823
XZS100-80-160/110																									
XZS100-65-200/150	100	65			581			95	155	310									60	14.5		20			440
XZS100-65-200/185					-																				
XZS100-65-200/220				334	-					311	241	279	355			4-Φ14.5		70	-	22	-	280	355	460	913

Flange Dimensions



PN16 FLANGES

DN	D	M	G	Holes		Max. Thickness
				N	∅	
∅32	140	100	76	4	18	14
∅40	150	110	84	4	18	14.5
∅50	165	125	99	4	18	15
∅65	185	145	118	4	18	16
∅80	200	160	132	4	18	18



PN16 FLANGES

DN	D	M	G	Holes		Max. Thickness
				N	∅	
∅100	220	180	152	8	18	18